

# Product data sheet

Specifications



## Power relay, SE Relays, 15A, 4PDT, 12 VDC, clear cover with LED indicator

784DXCL-12D

⚠ Discontinued on: Aug 7, 2023

⚠ Discontinued

Product availability: Non-Stock - Not normally stocked in distribution facility

### Main

Product Range	Legacy
Product Type	Power relay
Switch Function	4PDT
Contact Composition	4 NO + 4 NC

### Complementary

Input Current	15 A
Contacts Material	Silver alloy, gold flashed
Local Signalling	LED Flag
Minimum Switching Current	10 mA 17 V
Coil Resistance	76 Ohm
Input voltage	12 V DC
Drop-out Voltage Threshold	$\geq 0.15 U_c$ AC $\geq 0.1 U_c$ DC
Rated Operational Current	15 A at 120...277 V AC conforming to UL 15 A at 28 V DC conforming to UL 15 A at 120/150 V AC conforming to CSA 10 A at 151/277 V AC conforming to CSA 15 A at 28 V DC conforming to CSA 15 A at 250 V AC (NO) conforming to IEC 15 A at 28 V DC (NO) conforming to IEC 7.55 A at 250 V AC (NC) conforming to IEC 7.55 A at 28 V DC (NC) conforming to IEC
Power consumption in W	1.95 W DC
Power consumption in VA	2.85 VA AC
Voltage Range	0.8...1.1 $U_n$ AC/DC
Maximum Switching Voltage	300 V AC UL 300 V AC CSA 250 V AC IEC
Motor Power HP	0.5 hp 120 V AC 50/60 Hz 1 hp 277 V AC 50/60 Hz
Connections Terminals	Faston terminals
Mounting	Socket
Height	1.4 in (34.9 mm)
Width	1.6 in (40.6 mm)

Price is "List Price" and may be subject to a trade discount – check with your local distributor or retailer for actual price.

<b>Depth</b>	1.07 in (27.3 mm)
<b>Product Weight</b>	2.8 oz (80 g)
<b>Operating Time</b>	20 ms operating 20 ms tripping

## Environment

<b>Ambient Air Temperature for Operation</b>	-40...131 °F (-40...55 °C)
<b>Ambient Air Temperature for Storage</b>	-40...185 °F (-40...85 °C)
<b>Product Certifications</b>	UL CE CSA
<b>Electrical Durability</b>	100000 cycles resistive
<b>Mechanical Durability</b>	10000000 cycles
<b>Dielectric Strength</b>	2000 V AC between coil and contact 2000 V AC between poles 1500 V AC between contacts
<b>Shock Resistance</b>	15 gn in operation
<b>Vibration Resistance</b>	+/- 1 mm 10...35 Hz 3 gn 35...150 Hz

## Ordering and shipping details

<b>Category</b>	US10CP221127
<b>Discount Schedule</b>	0CP2
<b>GTIN</b>	3606480781032
<b>Returnability</b>	No

## Packing Units

<b>Unit Type of Package 1</b>	PCE
<b>Nbr. of units in pkg.</b>	1
<b>Package 1 Height</b>	1.07 in (2.73 cm)
<b>Package 1 Width</b>	1.60 in (4.06 cm)
<b>Package 1 Length</b>	1.07 in (2.73 cm)
<b>Package weight(Lbs)</b>	2.8 oz (80 g)
<b>Unit Type of Package 2</b>	S02
<b>Number of Units in Package 2</b>	120
<b>Package 2 Height</b>	5.9 in (15 cm)
<b>Package 2 Width</b>	11.8 in (30 cm)
<b>Package 2 Length</b>	15.7 in (40 cm)
<b>Package 2 Weight</b>	21.261 lb(US) (9.644 kg)
<b>Unit Type of Package 3</b>	P06
<b>Number of Units in Package 3</b>	1920
<b>Package 3 Height</b>	41.3 in (105 cm)
<b>Package 3 Width</b>	23.6 in (60 cm)
<b>Package 3 Length</b>	31.5 in (80 cm)

---

Package 3 Weight	358.10 lb(US) (162.43 kg)
------------------	---------------------------

## Contractual warranty

---

Warranty (in months)	18
----------------------	----


## Environmental Data

Schneider Electric aims to achieve Net Zero status by 2050 through supply chain partnerships, lower impact materials, and circularity via our ongoing "Use Better, Use Longer, Use Again" campaign to extend product lifetimes and recyclability.

[Environmental Data explained >](#)

[How we assess product sustainability >](#)

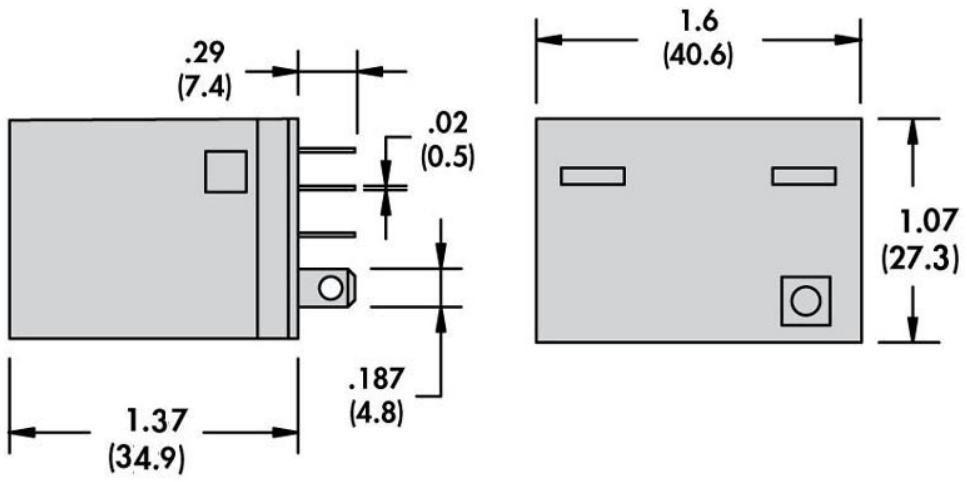
### Use Better

 <b>Materials and Substances</b>	
Packaging made with recycled cardboard	Yes
Packaging without single use plastic	Yes
<a href="#">EU RoHS Directive</a>	Pro-active compliance (Product out of EU RoHS legal scope)
California proposition 65	<b>WARNING:</b> This product can expose you to chemicals including: Nickel compounds, which is known to the State of California to cause cancer, and Di-isodecyl phthalate (DIDP), which is known to the State of California to cause birth defects or other reproductive harm. For more information go to <a href="http://www.P65Warnings.ca.gov">www.P65Warnings.ca.gov</a>

Dimensions Drawings

Approximate Dimensions

---



Connections and Schema

Connections and Wiring Diagrams

---

